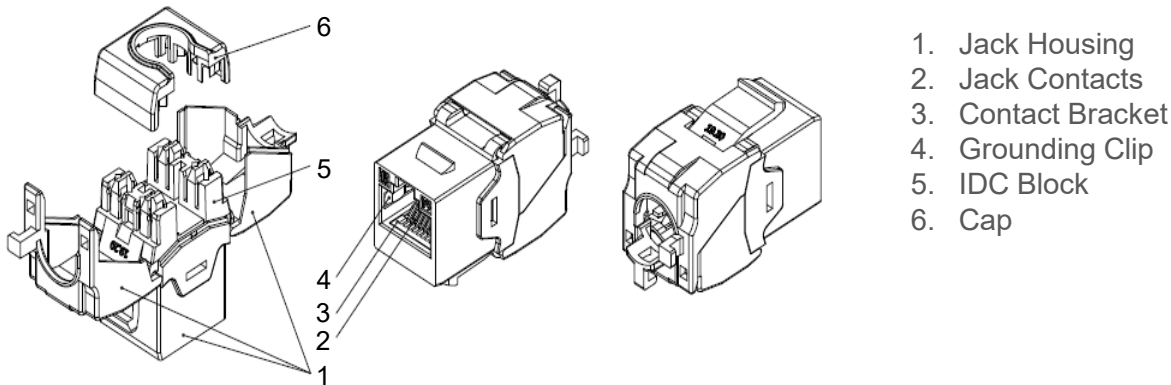


DS CODE:
200102

LS Simple™ Cabling Solution

LS-MJ-SC6-ERI



Description

LS Simple™ Shielded Modular Jack

- User instructions and basic wiring layout for standard configuration are included.
- 180 degree Enhanced Rear IDC type Modular Jack
- Designed and manufactured to meet demanding of international standards.
- Individually terminated using slim-IDC(Insulation Displacement Connectors)
- T568A or T568B configuration
- 47 CFR part 68(RJ-45), ANSI/TIA-568-C.2(Category 6) and ISO/IEC 11801 compliant
- RoHS compliant
- High impact flame retardant plastic housing
- Easy installation & smart cabling arrangement by wiring cap

Application

- Horizontal Distribution & Backbone Cabling
- 4/16 Mbps Token Ring (IEEE 802.5)
- 10/100/1000 BASE-T (IEEE 802.3)
- 1555.52 Mbps
- ATM 1Gb/s
- ANSI/TIA/EIA-8541 Gb/s
- 100Mbps TP-PMD
- ISDN, ADSL
- Analog & digital voice(VoIP) and video
- Full broadband and baseband video

Part Numbers

Description	Dimension (H x W, inch)	Part Numbers	Compatible Items
Shielded Category 6 Modular Jack	19.5 X 16.4 X 36.2	LS-MJ-SC6-ERI	Panel : LS-PP-24P(48P)-E-WM LS-PPP-SC-24P-E4-C (Plate type) LS-APP-SC-24P-E4-C (Angled type) Outlet : LS-FP-SA(SF)(US) series Tool : LS-EZT-TOOL-ER

DS CODE:
200102

LS Simple™ Cabling Solution

LS-MJ-SC6-ERI

Technical Details

Item	Unit	Information
FEATURE		
Category Meet Wiring scheme		ANSI/TIA-568-C.2 Category 6 47 CFR part 68 T568A/T568B
ELECTRICAL		
Current Rating	Amps	1.5
Insulation Resistance	Mega-ohm	> 500
Contact Resistance	milli-ohm	< 20
DC Resistance	ohm	< 0.1
Voltage	VAC	< 150
MECHANICAL		
Insertion Life	Matingcycles	750
Pull Force	lbs(N)	20(89)
Temperature	°C	-40~68
Humidity	% (RH)	10~90
IDC accept	AWG	23~26 (Solid wire)
PHYSICAL		
Cap & Housing		High impact flame retardant plastic, UL 94 rated
Spring Wire		Phosphor bronze plated with 50μin thick gold over nickel undercoat
IDC Plastic		Polycarbonate, UL 94 rated
IDC Contact		Phosphor Bronze, plated with tin over nickel underplate

Drawing

